

### Overview

The SENTRY Station Cover is a rugged, UV stabilized poly-carbonate cover used to help protect manual pull stations from accidental or malicious false alarms, vandalism, dust, and weather. Most surface-mount manual pull stations are easily installed behind the SENTRY Station Cover. When operated, the SENTRY door can be opened completely to a full 200°, providing unobstructed access to the manual pull station, while allowing the door to be pushed all the way to the wall without damage.

SENTRY Station Covers were designed specifically for compliance with the requirements of ADA (Americans with Disabilities Act: 28 CFR Part 36). This includes the ability to operate the station cover with just one hand, no more than 5 lbs of force and no requirement for tight grasping, pinching or twisting of the wrist. It is uniquely designed to protrude less than 4 inches (100 mm) into halls, corridors and passageways, per the 7/1/94 edition of ADA, part 36 paragraph 4.4.1. In addition, raised lettering and Braille instructions are provided on the covers.

SENTRY Station Covers are available in a variety of configurations to satisfy most application requirements. The standard station cover is supplied with four #10 type A, 1-3/4" Phillips round head screws with anchors suitable for standard wall-board installation.

### Options

#### Alarm Module Kit (ST-ALM01)

An optional alarm module is available to deter malicious manual pull station false alarms in applications such as schools, hospitals, transit facilities and other areas of mass congregation. When this option is provided, the integral alarm module will emit a piercing (104 dB ±3 dB at 1 meter) siren tone upon opening the cover to access the station. In addition to deterring malicious pranksters, the siren will provide an audible indication that the SENTRY Station Cover has been activated.

The Alarm Module Kit consists of an alarm module, 9V battery, a silencer key, and two 6-32 x 3/8" Phillips pan head screws.



### Features

- Provides protection for manual pull stations
- Bottom hinge allows easy access for servicing station
- Indoor/outdoor applications
- Tough UV stabilized clear polycarbonate
- Raised lettering and Braille instructions
- Meets ADA: 28 CFR Part 36

### Options

- Alarm module kit to deter malicious false alarms
- NEMA 3R weatherproofing kit
- Backplate kit for rough surface mounting
- Cover extender kit

### Weatherproofing Kit (ST-WPK01)

An optional NEMA 3R weatherproofing kit is available. The kit includes a cover gasket and two conduit gaskets. To complete the weatherproof installation, the ST-BKP01 Backplate Kit is recommended. Please see below.

### Backplate Kit (ST-BKP01)

The Backplate Kit is designed for mounting SENTRY covers to a rough surface. The kit consists of a plastic backplate and two #10 type A, 1" Phillips round head screws with anchors.

### Extender Kit (ST-XTR01)

The optional extender kit is used with surface mount pull stations. The kit provides additional depth surrounding the manual pull station. The Extender Kit includes the extender, two conduit block plates, a compression plate, and four #10 type A, 4" Phillips round head screws with anchors.

## Specifications

*Specifications are subject to change without notice due to product improvements.*

### Dimensions

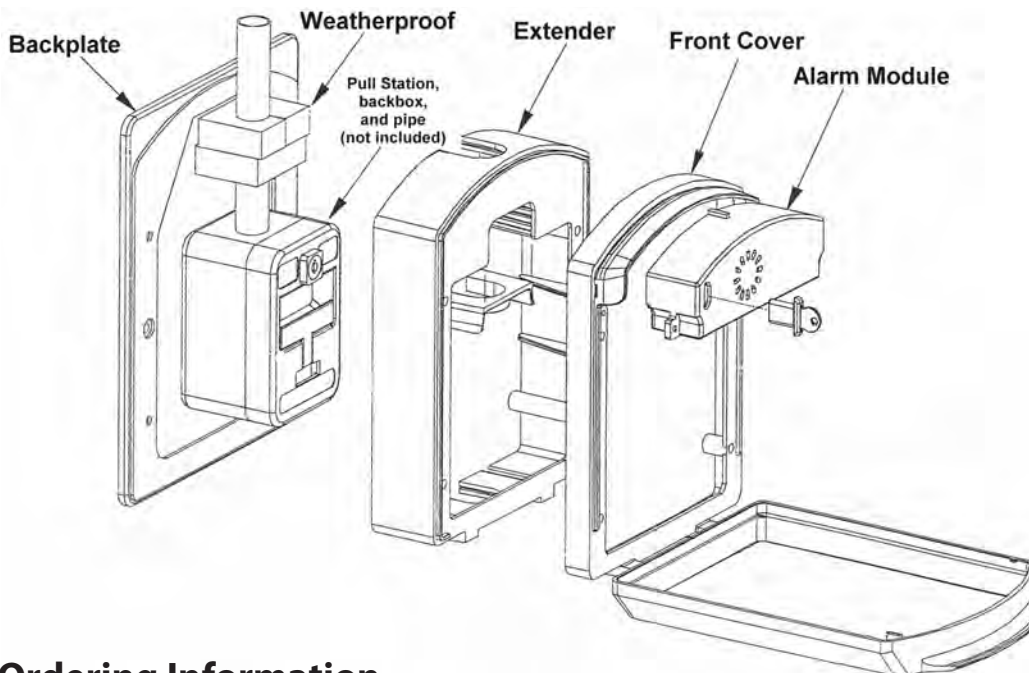
Front cover	10"h x 7-1/4"w x 1-3/4"d
Extender	10"h x 7-1/4"w x 2"d
Backplate	10-1/2"h x 8"w x 1/4"d

### Approvals/Listings

UL, CSFM

### Application Examples

Flush	ST-FRC01
Surface	ST-FRC01, ST-XTR01
Rough Surface	ST-FRC01, ST-XTR01, ST-BKP01
Weather Proof	ST-FRC01, ST-XTR01, ST-BKP01, ST-WPK01
Alarm Module	ST-ALM01; can be added to any application



## Ordering Information

Description	Model
SENTRY Front Cover Kit	ST-FRC01
Alarm Module Kit	ST-ALM01
Weatherproof Kit	ST-WPK01
Backplate Kit	ST-BKP01
Extender Kit	ST-XTR01



4 Wheeling Avenue; Woburn, MA 01801  
Phone – (781) 933-0998 | Fax – (781) 933-5019  
Email – sales@sigcom.com | www.sigcom.com

©2020 Signal Communications Corporation; all rights reserved

02282020a/Sentry\_Data\_Sheet