

Description

Sigcom's TM Series signals are high output continuous duty tone signaling amplified speakers for industrial applications. TM Series signals draw extremely low power while producing clear tone reproduction up to 107 dBA. Each TM Series signal features a rugged speaker cone and a projector built with spun aluminum. The amplification, power management, tone selection, and other internal circuitry are built into a rugged die cast aluminum housing which is sealed with powder coat paint and includes dust and moisture proof gaskets.

Applications

TM Series tone signaling amplified speakers have been designed for high quality signaling in harsh environments with high ambient noise. They have been approved for indoor and outdoor use and have been designed and tested for use in Type 3R applications. TM Series signals are voltage triggered from a new or existing system to produce high decibel tone signals. Each TM Series signal can be field configured to produce one of 11 different tones. Typical applications include emergency warning, plant evacuation, process control, as well as emergency communication systems. In addition, the model TM-24R and TM-24G are UL listed and approved for use in fire alarm systems.

Operation

TM Series tone signaling amplified speakers are activated from either a 24 VDC (models TM-24R and TM-24G) or 115 VAC (model TM-120G) source. Each TM Series signal can be configured for one of up to 11 different tones including siren, whoop, HiLo, temporal 1K, and yelp. The tones are user selectable via an internal dipswitch - no additional modules to install. The TM Series audio output can be adjusted ± 3 dB using an on board jumper to produce a maximum sound pressure level (SPL) of either 104 dBA or 107 dBA on axis at 10 ft. TM Series signals are available in 24 VDC and 120 VAC versions. The 120 VAC model is available in grey and the 24 VDC models are available in both red and grey.

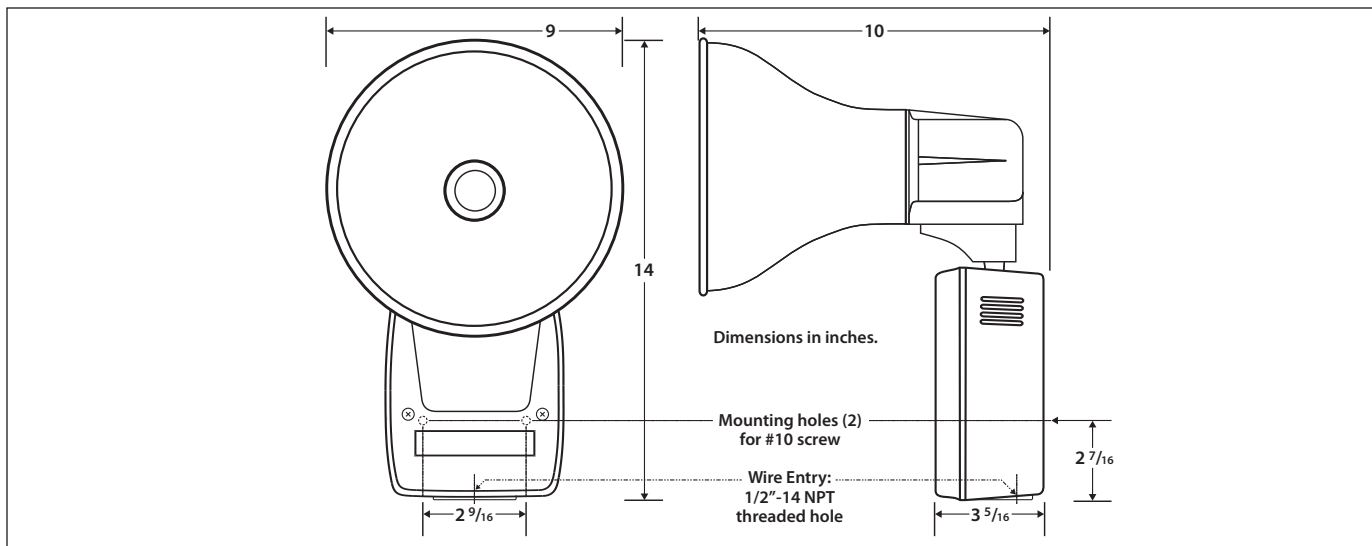


Features

- **Designed for industrial signaling including**
 - › Emergency warning
 - › Process control
 - › Plant evacuation
 - › Public address
 - › Emergency Communication Systems (ECS)
- **UL Listed for fire alarm signaling**
- **Configurable for 11 different tones including siren, whoop, HiLo, temporal 1K, and yelp – no additional modules needed**
- **Digital signal amplification**
- **High audio output with extremely low current draw**
- **UL Listed for indoor and outdoor use**
- **Suitable for areas with high ambient noise**
- **Available for 24 VDC and 120 VAC; red or grey powder coat finish**



TM Series Weatherproof Tone Signaling Amplified Speakers



Specifications

TM-24G / TM-24R

Power Input: 24VDC nominal, 300/600 @ Normal/Boost power, 700mA maximum
 Polarity protected, for use on reversing-polarity power supplies

Output: 104dB on axis at 10 feet; Normal
 107dB on axis at 10 feet; Boost

Connections: Rising block terminal strip, with in-out wiring capability

Tones: Temporal 1k, Whoop, Slow Whoop, HiLo, 1 kHz, Beep, Ring, Fast Pulse, Yelp, Slow Yelp, and Chime

Physical:
 Size 9"W x 14"H x 10"D
 Weight 5.5 pounds

Listing: UL, C-UL

TM-120G

Power Input: 115VAC nominal, 250mA maximum

Output: 104dB on axis at 10 feet; Normal
 107dB on axis at 10 feet; Boost

Connections: Wire Connections for AC Mains

Tones: Temporal 1k, Whoop, Slow Whoop, HiLo, 1 kHz, Beep, Ring, Fast Pulse, Yelp, Slow Yelp, and Chime

Physical:
 Size 9"W x 14"H x 10"D
 Weight 5.5 pounds

Location: Indoor or Outdoor locations

Listing: UL, C-UL

Specifications are subject to change without notice due to product improvements.

Ordering Information

Model	Description
TM-24R	Tone Signaling Amplified Speaker, indoor/outdoor, 24 VDC, red
TM-24G	Tone Signaling Amplified Speaker, indoor/outdoor, 24 VDC, grey
TM-120G	Tone Signaling Amplified Speaker, indoor/outdoor, 120 VAC, grey



4 Wheeling Avenue; Woburn, MA 01801
 Phone – (781) 933-0998 | Fax – (781) 933-5019
 Email – sales@sigcom.com | www.sigcom.com

©2016 Signal Communications Corporation; all rights reserved

161103r0/TM24G-24R-120G