

Overview

There are many applications for the SIGCOM MNS-100BAS/100-EXP Mass Notification System where additional audio power above 100 Watts is required. For these applications, the MNS-100APB Audio Power Booster provides an additional 100 Watts of audio output through four (4) Class A or B, power limited, supervised 25 V_{RMS} speaker outputs. Additional MNS-100APB units may be daisy-chained for virtually unlimited power output for coverage of large areas.

The audio is provided by the Primary MNS-100BAS/-100EXP system in parallel with each APB unit. Control of the Secondary MNS-100APB unit is by a contact closure from the previous unit, which can be the Primary or another MNS-100APB unit. All wiring and connections are fully supervised.

Options

70 V_{RMS} Speaker Output

Audio output power loss due to long speaker runs can be compensated for by installing the MNS-70V-XFMR 70 Volt Transformer. The transformer is contained in a small external cabinet that connects to the MNS-100APB. All speaker circuits maintain active supervision and provide full output power. *(For more information, please refer to the MNS-70V-XFMR data sheet.)*



Features

- Supervised dry contact closure primary activation input
- 100 Watt, highly efficient Class D digital audio amplifier
- 4 selectable speaker circuits (Class A or B wiring)

Options

- 70 V_{RMS} transformer

Specifications

Standard Configuration; no options installed. For specifications on options, please refer to their individual data sheets. Specifications are subject to change without notice due to product improvements.

Interface

Inputs

- Primary activation** 1; supervised dry contact closure rated for 24 V_{DC}, 10 mA
- Audio** 600 to 3600 Hz frequency response
25 V_{RMS} speaker-level; transformer isolated input

Outputs

- Audio** 100 W; 25 V_{RMS} (70 V_{RMS} Optional)
- Speaker circuits** 1; power-limited to 60 W
3; power-limited to 25 W each with total power not exceeding 100 W
10 KOhm EOLR continuously monitored

Indicators

- LED** power (green)
active (red)
system fault (yellow)
- LED bar graph** audio level; yellow 4-segment

Power Supply

- Primary Power** 120 V_{AC}, 60 Hz; 5 A nominal
- Internal Power Supply** 24 V_{DC} regulated
- External Power Supply** 24 V_{DC} regulated; Listed for Fire Alarm Use

Internal Battery Backup

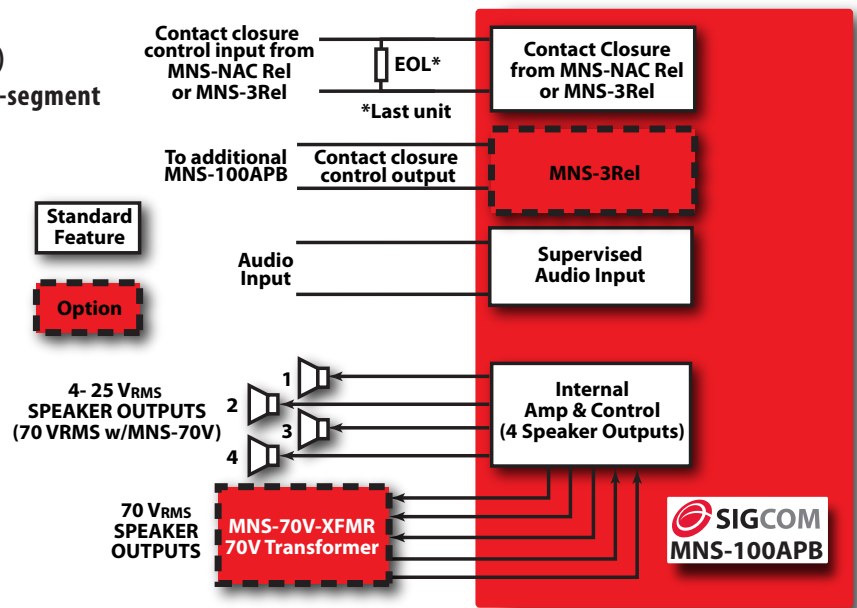
- Capacity** Up to 12 A-Hr (not included)
- Standby Mode** 24 hours
- Alarm Mode** 15 minutes
- Recharge Time** 48 hours

Installation

surface or semi-flush mount; between 16" O.C. studs; indoor; 18-5/8" h x 14-3/16" w x 4"d; painted steel

Enclosure

- Temperature Range** 32°F to 120°F (0°C to 49°C)
- Humidity** 90% maximum, non-condensing;
- Approvals/Listings** ETL Listed for UL 864 9th Edition (Control Units and Accessories for Fire Alarm Systems) and UL 1711 4th Edition (Amplifiers for Fire Protective Systems)



Ordering Information

Description	Model
100 Watt Panel, 4 Speaker Circuits, and Power Supply	MNS-100APB
Common Alarm and Trouble 3-Relay Card (Primary Unit)	MNS-3-REL
70 Volt Transformer	MNS-70V-XFMR



4 Wheeling Avenue; Woburn, MA 01801
 Phone – (781) 933-0998 | Fax – (781) 933-5019
 Email – sales@sigcom.com | www.sigcom.com

©2012 Signal Communications Corporation; all rights reserved

1205r0/MNS-100APB/OEMM