

Description

Sigcom's AMH Series signals are high output continuous duty amplified speakers for industrial signaling applications in hazardous areas. AMH Series signals draw extremely low power from the audio system while producing audio reproduction up to 107 dBA. Each AMH Series signal features a rugged speaker cone and a projector built with spun aluminum. The amplification, power management, and other internal circuitry are built into a rugged die cast aluminum housing which is sealed with powder coat paint and includes dust and moisture proof gaskets.

Applications

AMH Series amplified speakers have been designed for high quality signaling in harsh environments with high ambient noise. They have been approved for indoor and outdoor use and are suitable for NEC Class I, Division 2, Groups A, B, C, and D; Class II, Division 2, Groups F and G; and Class III hazardous areas. They have been designed, tested, and approved for use in Type 3R applications. The AMH Series uses the speaker level output of a new or existing audio system to produce high decibel voice messages or tone signals. Typical applications for AMH Series include emergency warning, plant evacuation, process control, and public address signaling as well as voice evacuation and mass notification systems. The model AMH-24R and AMH-24G are also UL listed and approved for use in fire alarm systems.

Operation

AMH Series amplified speakers can be connected to either a 25 or 70 Vrms speaker circuit. This option is user selectable using an on board jumper – no additional modules to install. The AMH Series audio output can be adjusted ± 3 dB using an on board jumper to produce a maximum sound pressure level (SPL) output of either 104 dBA or 107 dBA on axis at 10 ft. AMH Series signals are available in 24 VDC and 120 VAC versions. The 120 VAC model is available in grey and the 24 VDC models are available in both red and grey.

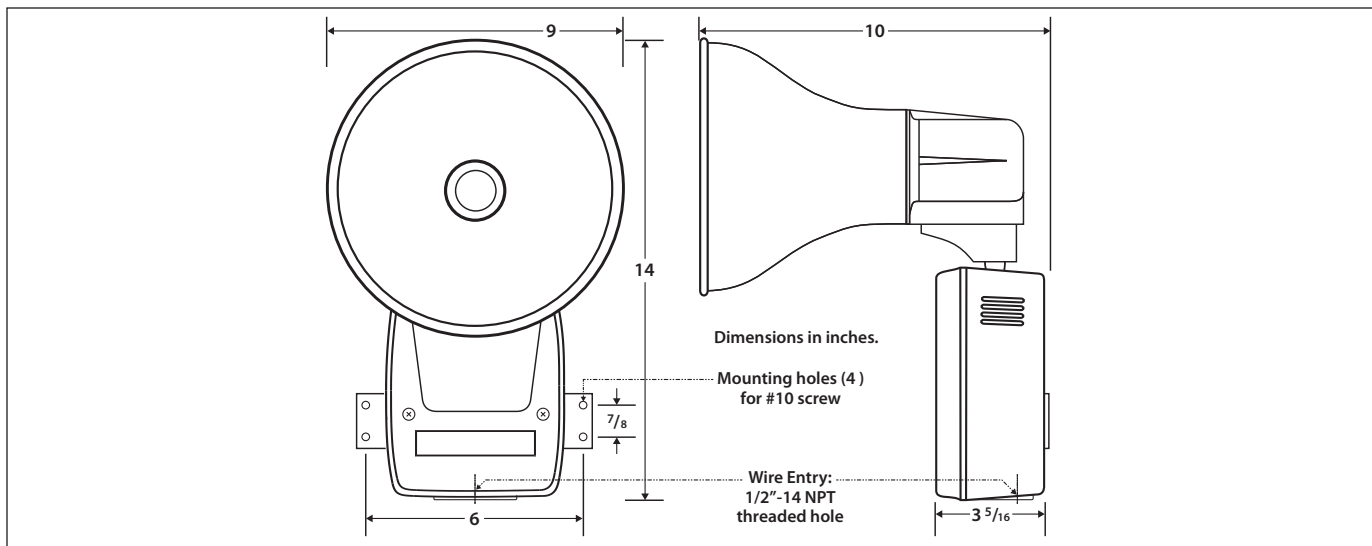


Features

- **Designed for industrial signaling in hazardous areas including**
 - › Emergency warning
 - › Process control
 - › Plant evacuation
 - › Public address
 - › Emergency Communication Systems (ECS)
- **UL Listed for fire alarm signaling**
- **Digital signal amplification**
- **High audio output with extremely low current draw**
- **UL Listed for indoor and outdoor use**
- **Suitable for areas with high ambient noise**
- **User selectable audio line level 25 or 70 Vrms – no additional modules needed**
- **Available for 24 VDC and 120 VAC; red or grey powder coat finish**



AMH Series Hazardous Area Tone Signaling Amplified Speakers



Specifications

AMH-24G / AMH-24R

Power Input: 24VDC nominal, 300/600mA @Normal/Boost power, 819mA maximum

Polarity protected, for use on reversing-polarity power supplies

Audio Input: 25 or 70Vrms

AC coupled, for use with DC supervised audio circuits
30VDC Maximum Supervisory Voltage

Output UL: 104dBA at 10 feet; Normal
107dBA at 10 feet; Boost

Connections: Rising block terminal strip, with in-out wiring capability

Physical:

Size 9"W x 14"H x 10"D

Weight 5.5 pounds

Location: Indoor or Outdoor locations

Suitable for use in:

Class I, Division 2, Groups A, B, C and D;

Class II, Division 2, Groups F and G;

Class III Hazardous locations

Listing: UL, C-UL

Specifications are subject to change without notice due to product improvements.

AMH-120G

Power Input: 115VAC nominal, 260mA maximum

Audio Input: 25 or 70Vrms

AC coupled, for use with DC supervised audio circuits
30VDC Maximum Supervisory Voltage

Output UL: 104dBA at 10 feet; Normal
107dBA at 10 feet; Boost

Connections: Rising block terminal strip, with in-out wiring capability

Physical:

Size 9"W x 14"H x 10"D

Weight 5.5 pounds

Location: Indoor or Outdoor locations

Suitable for use in:

Class I, Division 2, Groups A, B, C and D;

Class II, Division 2, Groups F and G;

Class III Hazardous locations

Listing: UL, C-UL

Ordering Information

Model	Description
AMH-24R	Amplified Speaker for use in hazardous areas, 24 VDC, red
AMH-24G	Amplified Speaker for use in hazardous areas, 24 VDC, grey
AMH-120G	Amplified Speaker for use in hazardous areas, 120 VAC, grey



4 Wheeling Avenue; Woburn, MA 01801
Phone – (781) 933-0998 | Fax – (781) 933-5019
Email – sales@sigcom.com | www.sigcom.com

©2016 Signal Communications Corporation; all rights reserved

161103r0/AMH24G-24R-120G