

The DVS+50 has one 50Watt amplifier board that can be configured with 25 or 50Watt output circuits.

By changing the jumpers on the amplifier board different combinations of 25 and 50Watt speaker circuits can be utilized.

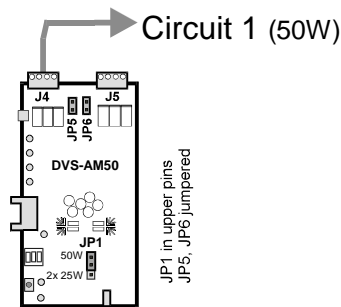
All outputs either 25 or 50W are fully supervised for opens and shorts, selectable for 25 or 70VRMS, with connections for Class A (Style Z) or Class B (Style Y) wiring.

They are power-limited by an Intelligent overload controller that limits the output power but does NOT disconnect the circuit in an overload condition. Thus ensuring that the emergency message will be broadcast, even though at a reduced audio level.

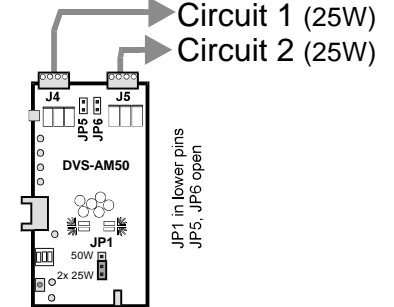
The DVS+50 can also be configured with the DVS+ZM4 Zone Splitter modules to increase the number of speaker output circuits. See below, for other pre-engineered system information.

The 25/50W jumper settings are explained on the AN-DVS+AM50 application note. Detailed information on the DVS+AM50 amplifier board is available on the Installation Instructions #1000-0747. Detailed information on the DVS+ZM4 Zone Module is on the Installation Instructions #1000-0748.

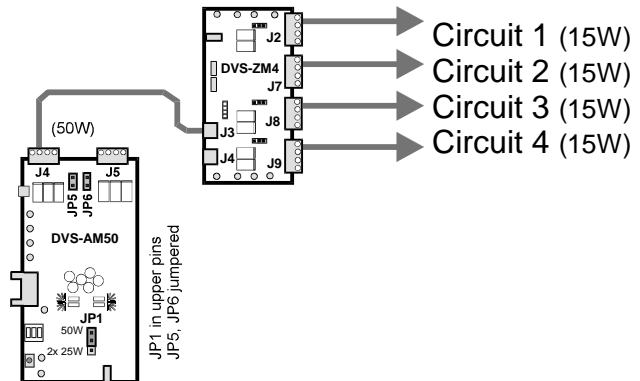
DVS+50 1 Zone



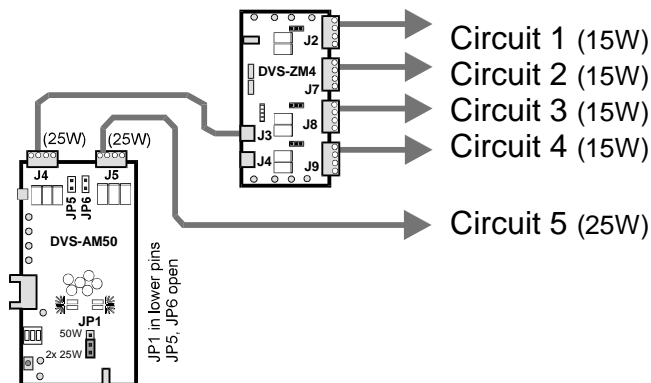
DVS+50 2 Zones



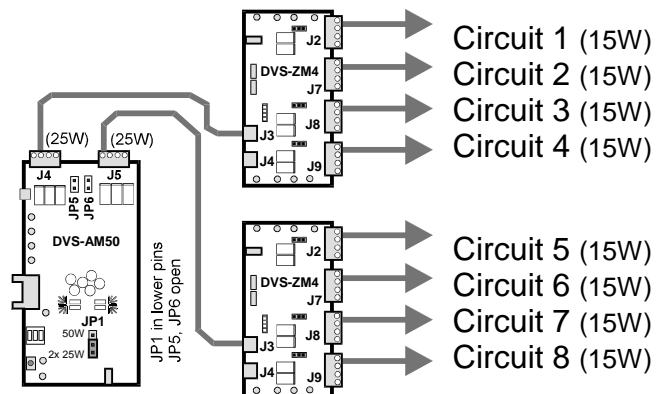
DVS+50/4



DVS+50/4 5-Zones



DVS+50/8



The DVS+50 can have up to 5 DVS+ZN4 Zone Splitters added to expand the number of output zones in various configurations depending upon the application.

All outputs on the DVS+ZN4 can be switch selected for zoned paging.